

Zubehör für Pumpenträger Accessories for bellhousings



- **Montageplatten für die problemlose Montage und Demontage von Pumpen-Motoreinheit bei vertikaler Montage**
- **Pumpenfüsse für die Montage auf Grundplatten**
- **Dichtungen aus NBR für Pumpenträger und Montageplatten**
-
- **Mountingplates for easy mounting and dismounting of the unit pump-bellhousing-motor in vertical position**
- **Pumpfeet for the mounting on base plates**
- **NBR-sealings for bellhousings and mountingplates**

Typenbezeichnung Pumpenfuss - Modeltype footbracket

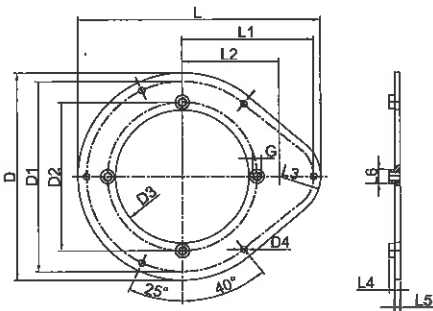
PF 200 / 100 / 1050

| | | | |
|---------------------|-----|-----|-----|
| Type Pumpenfuss | 130 | 180 | 200 |
| Type of footbracket | 270 | 290 | 330 |

| | |
|------------------|-----|
| Motor-Baugröße | xxx |
| Motor frame size | xxx |

| | |
|-----------------|-------------------------|
| Pumpenanschluss | |
| Pumpconnection | |
| xxxx | Bearbeitungscode |
| | Internal machining code |

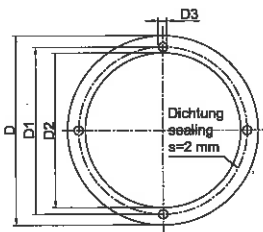
Abmessungen - Dimensions



Montageplatten - Mounting plates

Bei V1-Anordnung Durchführung der Druckleitung zur einfachen Montage und Demontage der Pumpen-Motoren-Einheit.
For leading through pressure line, thus easy mounting and dismantling of the unit pump-bellhousing-motor.

| Type | Dichtung 1 Gasket 1 | Dichtung 2 Gasket 2 | Abmessungen - Dimensions [mm] | | | | | | | | | | | | |
|--------|------------------------|------------------------|-------------------------------|-----|-----|-----|----|----|----|-----|-----|-----|-----|----|-----|
| | | | L | L1 | L2 | L3 | L4 | L5 | L6 | D | D1 | D2 | D3 | D4 | G |
| MP 200 | D 200 NBR | D 325 NBR | 325 | 190 | 140 | 60 | 8 | 16 | 20 | 250 | 225 | 165 | 147 | 9 | M10 |
| MP 250 | D 250 NBR | D 355 NBR | 350 | 190 | 140 | 60 | 8 | 16 | 20 | 300 | 275 | 215 | 192 | 9 | M12 |
| MP 300 | D 300 NBR | D 420 NBR | 420 | 225 | 150 | 90 | 8 | 16 | 20 | 360 | 330 | 265 | 236 | 14 | M12 |
| MP 350 | D 350 NBR | D 475 NBR | 475 | 225 | 160 | 110 | 10 | 20 | 20 | 410 | 380 | 300 | 262 | 14 | M16 |



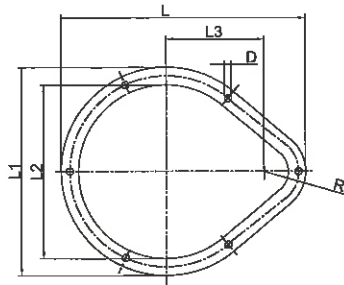
Dichtungen-Gaskets

NBR/Pappe
NBR/Paper

Dichtung 1:
Montage zwischen Pumpenträger und Montageplatte.

Gasket 1:
Mounting between bellhousing and mounting plate.

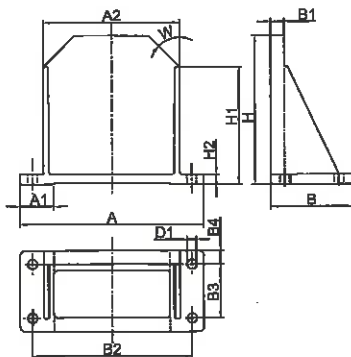
| Type | Abmessungen - Dimensions [mm] | | | |
|-----------|-------------------------------|-----|-----|----|
| | D | D1 | D2 | D3 |
| D 140 NBR | 140 | 115 | 97 | 10 |
| D 160 NBR | 160 | 130 | 112 | 10 |
| D 200 NBR | 200 | 165 | 147 | 12 |
| D 250 NBR | 250 | 215 | 193 | 14 |
| D 300 NBR | 300 | 265 | 245 | 14 |
| D 350 NBR | 350 | 300 | 270 | 19 |
| D 400 NBR | 400 | 350 | 303 | 19 |
| D 450 NBR | 450 | 400 | 353 | 19 |
| D 550 NBR | 550 | 500 | 453 | 19 |
| D 660 NBR | 660 | 600 | 554 | 24 |



Dichtung 2:
Montage zwischen Montageplatte und Behälterdeckel.

Gasket 2:
Mounting between mounting plate and tank lid.

| Type | Abmessungen - Dimensions [mm] | | | | | |
|-----------|-------------------------------|-----|-----|-----|-----|----|
| | L | L1 | L2 | L3 | R | D |
| D 325 NBR | 325 | 250 | 200 | 140 | 60 | 10 |
| D 355 NBR | 350 | 300 | 250 | 140 | 60 | 10 |
| D 420 NBR | 420 | 360 | 300 | 150 | 90 | 15 |
| D 475 NBR | 475 | 410 | 350 | 160 | 110 | 20 |



Pumpenfüße - Pump feet

Komplette Bearbeitung des Pumpenanschlusses auf Wunsch.

Ready machined on pump side on request.

| Type | Abmessungen - Dimensions [mm] | | | | | | | | | | | | |
|--------|-------------------------------|----|-----|-----|----|-----|-----|----|----|-----|-----|----|-----|
| | A | A1 | A2 | B | B1 | B2 | B3 | B4 | D1 | H | H1 | H2 | W |
| PF 130 | 190 | 40 | 130 | 85 | 12 | 160 | 55 | 15 | 14 | 136 | 100 | 8 | 30° |
| PF 180 | 230 | 50 | 160 | 100 | 20 | 194 | 60 | 20 | 14 | 175 | 140 | 12 | 45° |
| PF 200 | 270 | 50 | 200 | 120 | 20 | 234 | 80 | 20 | 14 | 220 | 175 | 15 | 45° |
| PF 270 | 340 | 55 | 270 | 150 | 20 | 304 | 110 | 20 | 18 | 315 | 245 | 15 | 45° |
| PF 290 | 360 | 60 | 290 | 170 | 20 | 325 | 130 | 20 | 18 | 335 | 265 | 18 | 45° |
| PF 330 | 420 | 70 | 330 | 220 | 22 | 376 | 170 | 25 | 22 | 400 | 315 | 20 | 45° |